

PowerShot A95

Digital Camera
English Edition



**GENERAL DESCRIPTION
OF PRODUCT**

**TECHNICAL
DESCRIPTION**

**REPAIR
INSTRUCTION**

PARTS CATALOG

DIAGRAMS

APPENDIX

Application

This CD-ROM is issued by Canon Inc. for qualified persons to learn technical theory and product repair. This CD-ROM covers all localities where the products are sold. For this reason, there may be information in this CD-ROM that does not apply to the product sold in your locality. The following paragraph does not apply to any countries where such provisions are inconsistent with local law.

Trademarks

The product names and company names described in this CD-ROM are the registered trademarks of the individual companies.

Copyright

Canon Inc. retains the copyright to all data contained on this CD-ROM. Reproduction, publication (including on the World Wide Web) alteration, translation into another language, or other use of the data in whole or part, contained on this CD-ROM without the written consent of Canon Inc., is prohibited.

Copyright © 2004 Canon Inc.

Canon Inc.

Image Communication Products Service Administration Div.

30-2, Shimomaruko 3-Chome, Ohta-ku,

Tokyo 146-8501, Japan

First published August, 2004

Publisher : Image Communication Products Service Administration Div.

SAFETY PRECAUTIONS

The following precautions should be observed when servicing.

1. Since many parts in the unit have special safety-related characteristics, always use genuine CANON replacement parts. Especially critical parts in the power circuit block should not be replaced with other makes. Critical parts are marked with \triangle in the schematic diagrams.
2. When servicing, observe the original lead dress. If a short circuit is found, replace all parts which have been overheated or damaged by the short circuit.
3. After servicing, see to it that all the protective devices such as insulation barriers, insulation papers shields are properly installed.
4. After servicing, make the following leakage current checks to prevent the customer from being exposed to shock hazards.

4-1 Leakage Current Cold Check

- 1) Unplug the AC cord and connect a jumper between the two prongs on the plug.
- 2) Measure the resistance value, with an ohmmeter, between the jumpered AC plug and each exposed metallic cabinet part on the equipment such as screwheads, connectors, control shafts, etc. When the exposed metallic part has a return path to the chassis, the reading should be between $1M\Omega$ and $5.2M\Omega$. When the exposed metal does not have a return path to the chassis, the reading must be ∞ .

4-2 Leakage Current Hot Check

- 1) Plug the AC cord directly into the AC outlet. Do not use an isolation transformer for this check.
- 2) Connect a $1.5K\Omega$ 10 watt resistor, paralleled by $0.15\mu F$ capacitor, between each exposed metallic parts on the unit and a good earth ground such as a water pipe, as shown in the figure below.
- 3) Use an AC voltmeter, with $1000\Omega/\text{volt}$ or more sensitivity, to measure the potential across the resistor.
- 4) Check all exposed metallic parts of the cover (Cable connection, Handle bracket, metallic cabinet. Screwheads, Metallic overlays, etc), and measure the voltage at each point.
- 5) Reverse the AC plug in the AC outlet and repeat each of the above measurements.
- 6) The potential at any point should not exceed 0.75V RMS.

A leakage current tester (FLUKE MODEL : 8000A equivalent) may be used to make the hot checks.

Leakage current must not exceed 0.5 milliamp.

In case a measurement is outside of the limits specified, there is a possibility of a shock hazard, and corrective action must be taken before returning the instrument to the customer.

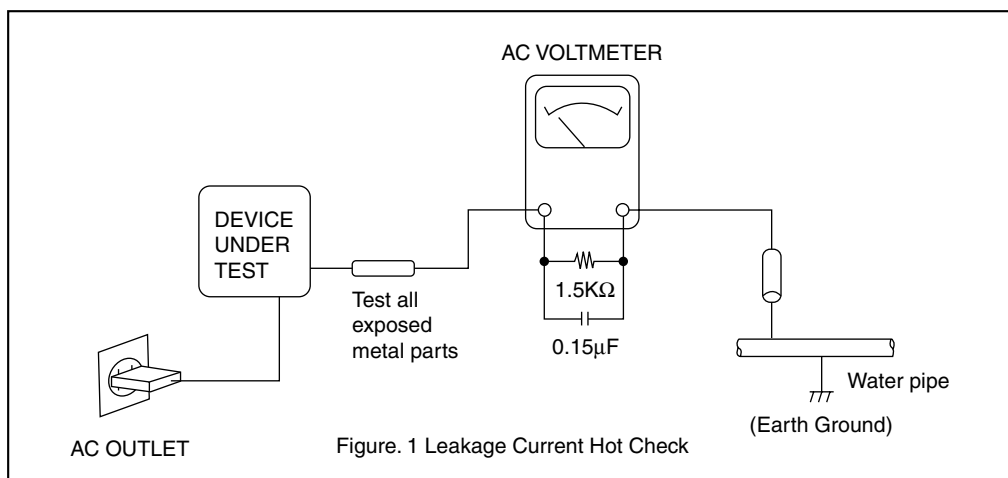


Figure. 1 Leakage Current Hot Check

PARTS CATALOG

PARTS CATALOG

CONTENTS

PowerShot A95

Casing Parts	Pg1
Internal Parts-1	Pg2
Internal Parts-2	Pg3
Optical Unit	Pg4
Fuse	Pg5
Accessories-1	Pg6
Accessories-2	Pg7
Accessories-3	Pg8
Service Tools-1	Pg9
Service Tools-2	Pg10

CLASS凡例

- A: 使用頻度 高
- B: 使用頻度 中
- C: 使用頻度 低
- D: 安全規格部品
- E: 消耗部品
- F: 標準ネジ、ワッシャー
- S: 供給制限品
- Y: サービス工具

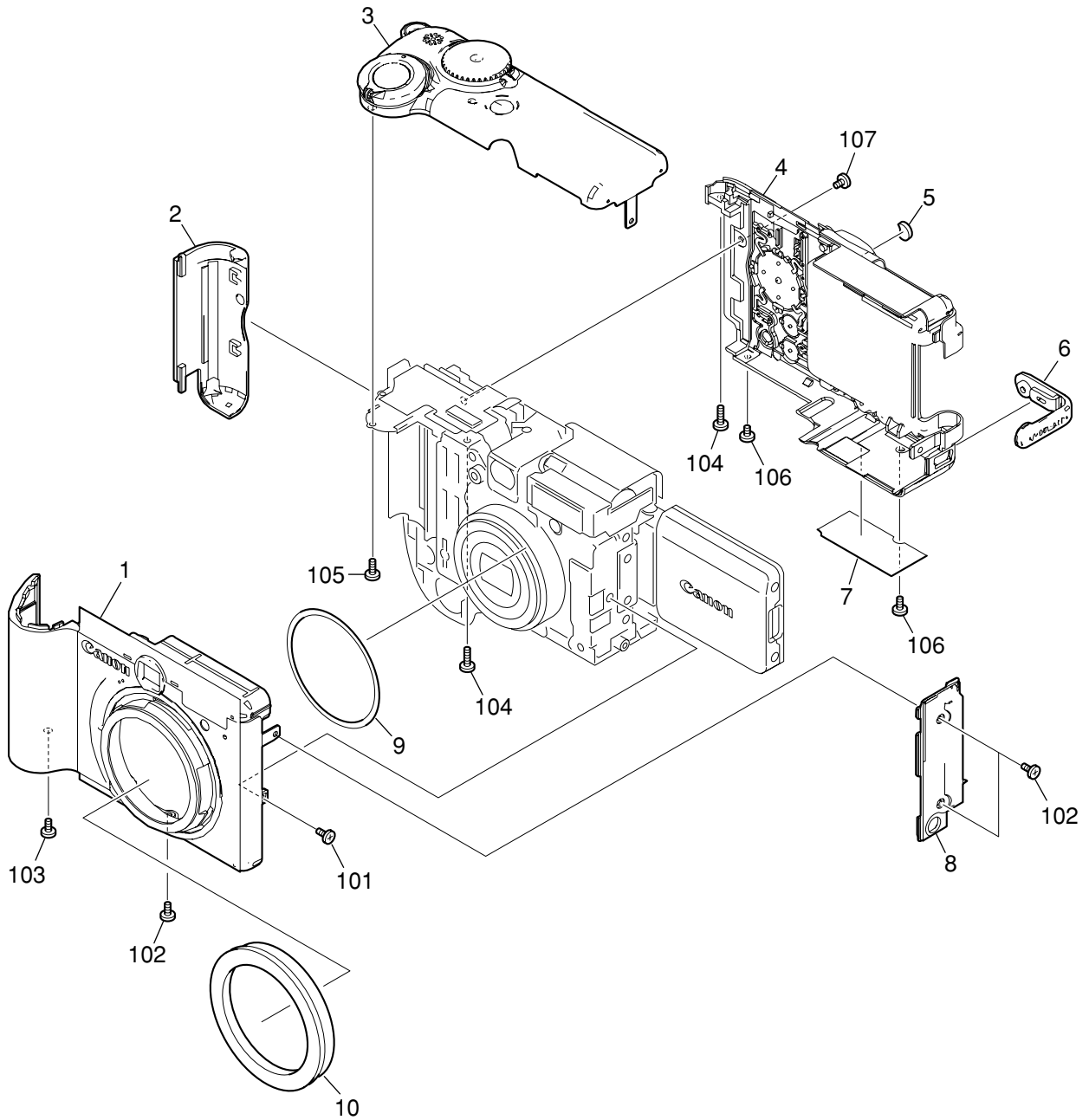
Category of CLASS

- A: Frequency of use: High
- B: Frequency of use: Middle
- C: Frequency of use: Low
- D: Safety-related critical parts
- E: Consumable parts
- F: Standard screws and washers
- S: Supply of the parts is limited
- Y: Service Tools

CAUTION

⚠ がついている部品は安全上重要な部品です。交換時は、必ず指定の部品を使用してください。
Especially critical parts in the power circuit block should not be replaced with other marks.
Critical parts are marked with ⚠ in this parts list

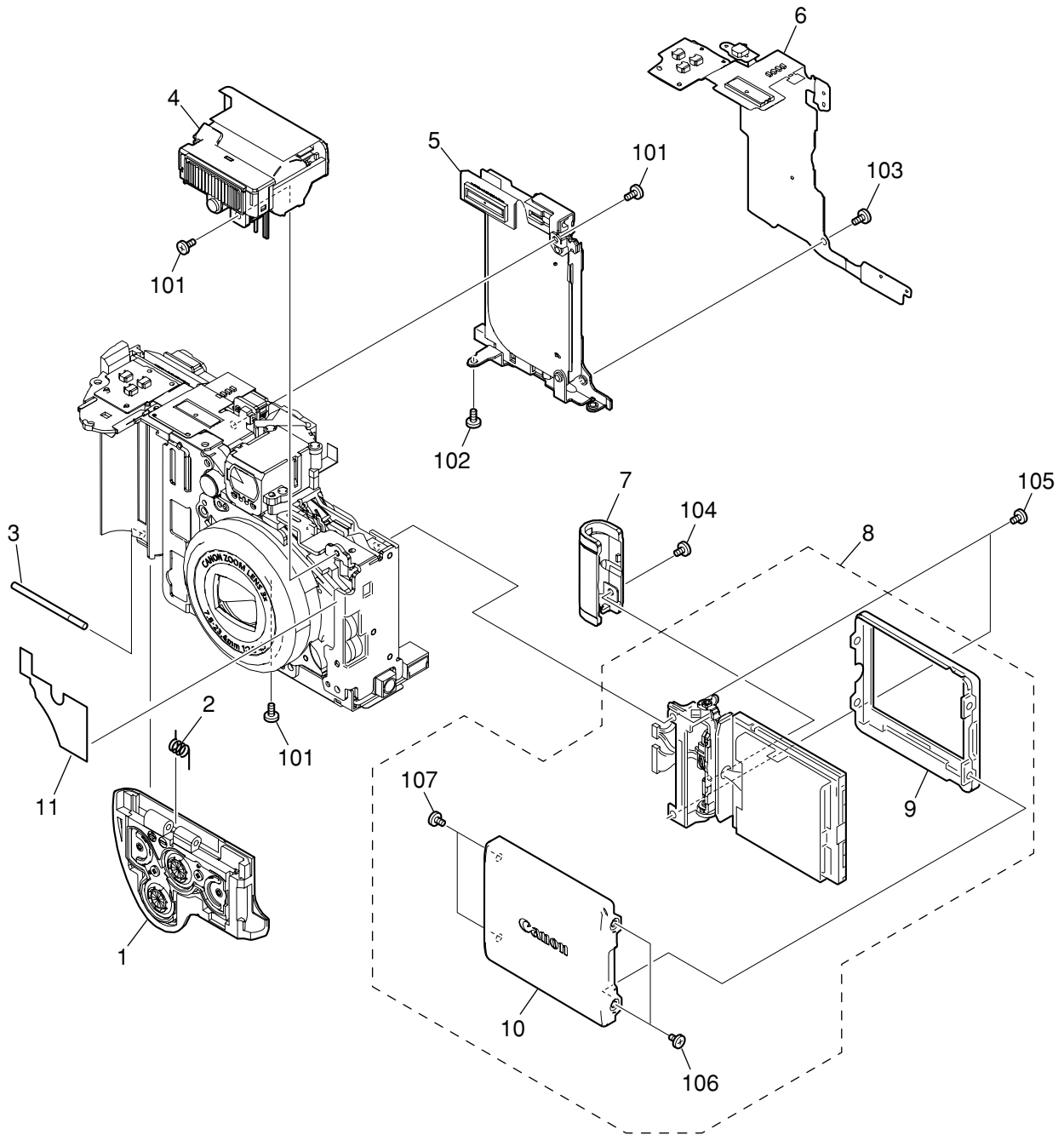
Casing Parts



PARTS LIST

SYMBOL	PARTS NO.	CLASS	QTY	DESCRIPTION	REMARKS
1	CM1-2501-000	B	1	COVER UNIT, FRONT	
2	CD3-2635-000	B	1	COVER, CARD SLOT	
3	CM1-2503-000	B	1	COVER UNIT, TOP	
4	CM1-2502-000	B	1	COVER UNIT, REAR	
5	CD3-1425-000	B	1	COVER, HOLE	
6	CD3-2601-000	B	1	COVER, JACK	
7	CY1-6359-000	B	1	PLATE, BODY NUMBER	#13061xxxxx
8	CD3-2629-000	B	1	COVER, SIDE	
9	CD3-1204-000	C	1	SHEET, LENS BARREL	
10	CM1-2512-000	B	1	BAYONET CUP UNIT	
101	XA1-7170-207	F	1	SCREW, CROSS-RECESS, PH	
102	CD3-1441-000	B	3	SCREW	
103	XA4-9170-357	F	1	SCREW, CROSS-RECESS, PH	
104	XA4-9170-707	F	2	SCREW, CROSS-RECESS, PH	
105	XA4-9170-457	F	1	SCREW, CROSS-RECESS, PH	
106	CD3-3200-000	B	2	SCREW	
107	CD3-3201-000	B	1	SCREW	

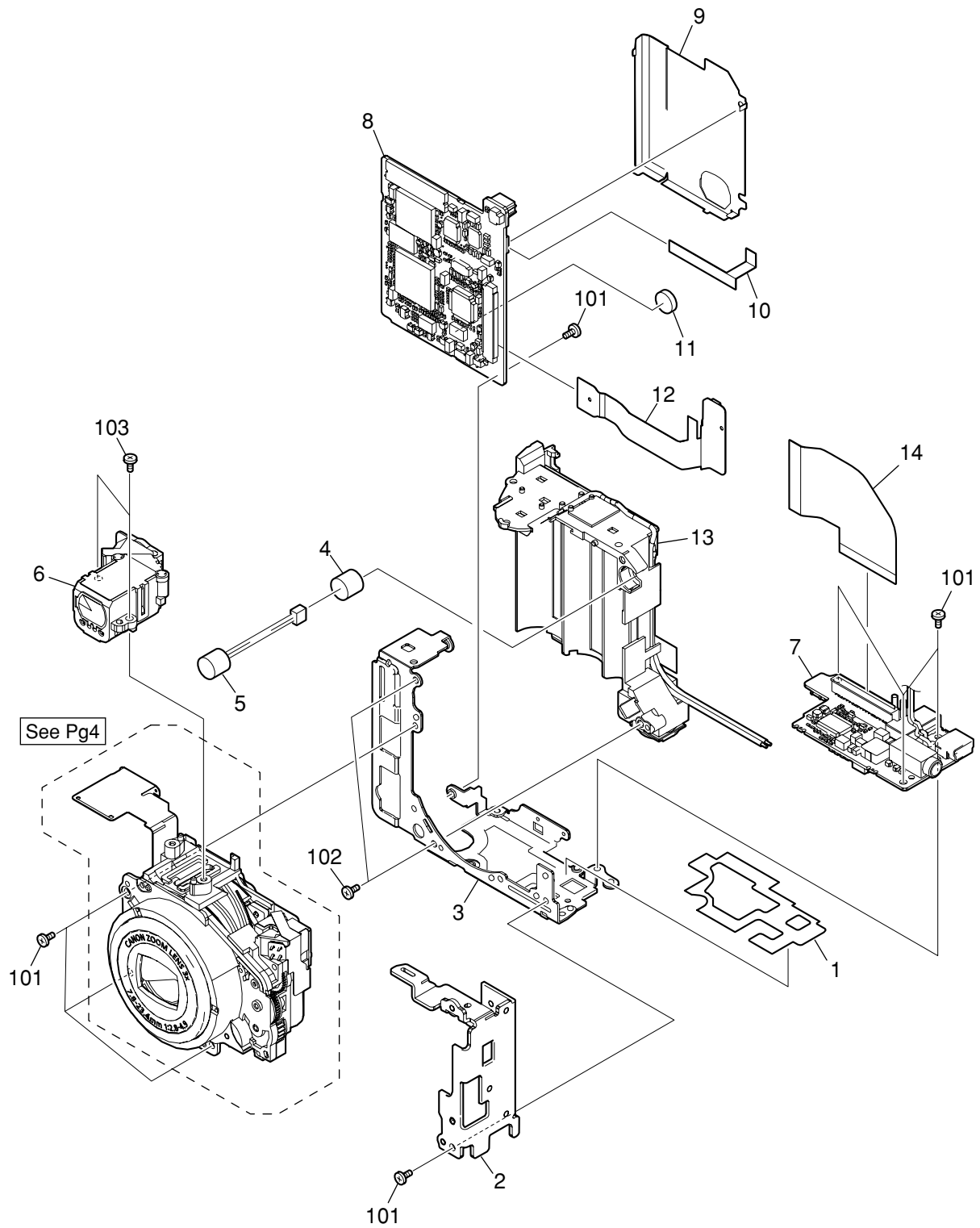
Internal Parts-1



PARTS LIST

SYMBOL	PARTS NO.	CLASS	QTY	DESCRIPTION	REMARKS
1	CM1-2504-000	B	1	BATTERY COVER UNIT	
2	CD3-1347-000	C	1	SPRING, BATTERY COVER	
3	CD3-1348-000	C	1	SHAFT, BATTERY COVER	
4	CM1-2500-000	B	1	FLASH UNIT	
5	CY1-6357-000	C	1	CARD SLOT UNIT	
6	CM1-2493-000	C	1	OPERATION ASS'Y	
7	CD3-1399-000	B	1	COVER, HINGE	
8	CM1-2507-000	B	1	LCD UNIT	
	CY1-6356-000	B	1	LCD UNIT (SELECTION)	
9	CM1-2584-000	B	1	COVER ASS'Y, LCD FRONT	
10	CM1-2585-000	B	1	COVER ASS'Y, LCD REAR	
11	CD3-2613-000	C	1	SHIELD, LIGHT	
101	XA1-7170-357	F	3	SCREW, CROSS-RECESS, PH	
102	XA4-9170-357	F	1	SCREW, CROSS-RECESS, PH	
103	XA1-7170-257	F	1	SCREW, CROSS-RECESS, PH	
104	CD3-1443-000	B	1	SCREW	
105	CD3-1400-000	C	2	SCREW	
106	CD3-3203-000	B	2	SCREW	
107	CD3-3202-000	B	2	SCREW	

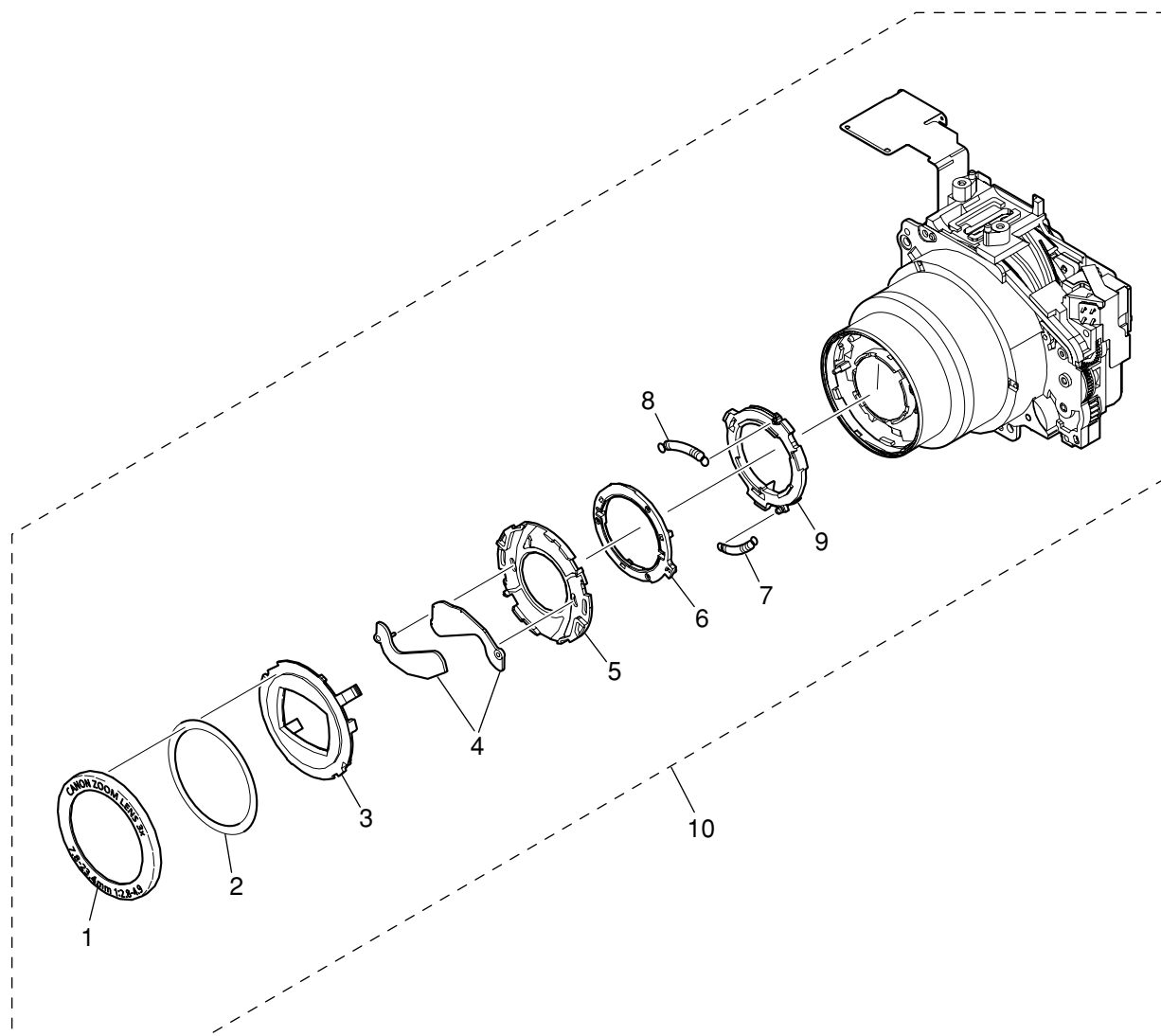
Internal Parts-2



PARTS LIST

SYMBOL	PARTS NO.	CLASS	QTY	DESCRIPTION	REMARKS
1	CD3-2614-000	C	1	SHEET, INSULATION	
2	CD3-2624-000	C	1	FRAME, SUB	
3	CD3-2623-000	C	1	FRAME, MAIN	
4	CD3-1971-000	C	1	BUSH, MICROPHONE	
5	CM1-2498-000	C	1	MICROPHONE UNIT	
6	CM1-2581-000	C	1	FINDER UNIT	
7	CM1-2488-000	C	1	DC/JACK UNIT	
8	CM1-2486-000	C	1	PCB ASS'Y, MAIN	
9	CY1-6358-000	C	1	SHIELD UNIT, MAIN B	
10	CK2-2182-000	C	1	FPC, MAIN-FLASH	
11	WK1-5140-000	C	1	BATTERY, LITHIUM (2ND)	
12	CM1-2496-000	C	1	MAIN-LCD ASS'Y	
13	CM1-2505-000	C	1	BATTERY BOX UNIT	
14	CK1-1181-000	C	1	FPC, MAIN-DC	
101	XA1-7170-257	F	8	SCREW, CROSS-RECESS, PH	
102	XA4-9170-357	F	2	SCREW, CROSS-RECESS, PH	
103	XA4-9140-407	F	2	SCREW	

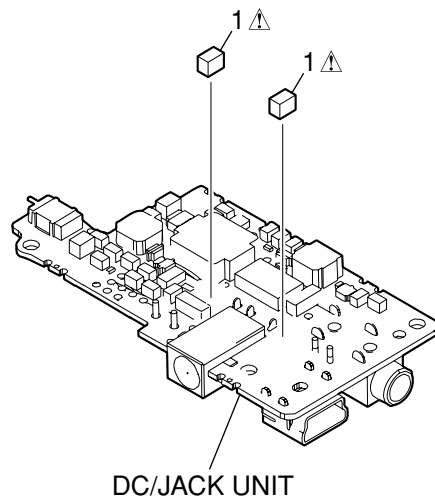
Optical Unit



PARTS LIST

SYMBOL	PARTS NO.	CLASS	QTY	DESCRIPTION	REMARKS
1	CD3-1198-000	B	1	CAP, FRONT	
2	CD3-1214-000	C	1	TAPE, FRONT CAP	SIZE(015)
3	CD3-1180-000	B	1	COVER, BARRIER	
4	CD3-1179-000	B	2	PLATE, BARRIER	
5	CD3-1178-000	C	1	BASE, BARRIER	
6	CD3-1177-000	C	1	PLATE, BARRIER DRIVE	
7	CD3-1206-000	C	1	SPRING, BARRIER CLOSE	
8	CD3-1205-000	C	1	SPRING, BARRIER OPEN	
9	CD3-1176-000	C	1	RING, BARRIER DRIVE	
10	CM1-2582-000	C	1	OPTICAL UNIT	

Fuse

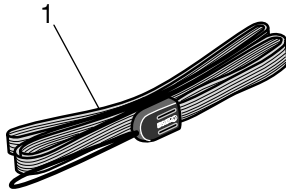


PARTS LIST

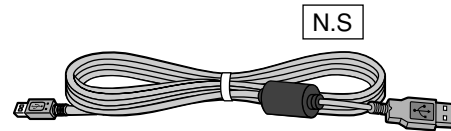
SYMBOL	PARTS NO.	CLASS	QTY	DESCRIPTION	REMARKS
△ 1	CY4-6076-000	D	2	FUSE, MATSU.DENKI UNHS205	

Accessories-1

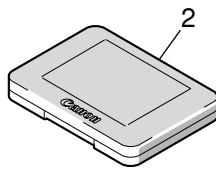
Wrist Strap WS-200



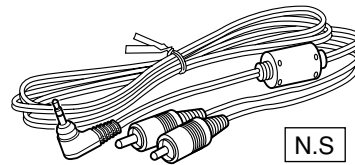
**USB Interface Cable
IFC-400PCU**



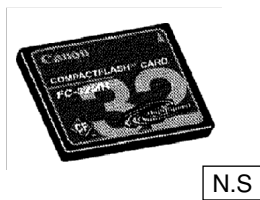
CF Case



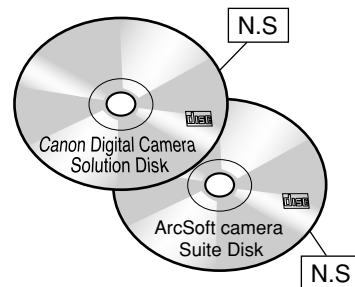
AV Cable AVC-DC300



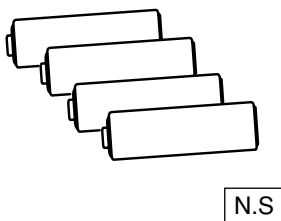
CF Card FC-32MH



**Canon Digital Camera
Solution Disk,
ArcSoft Camera Suite Disk**



Alkaline Batteries (X4)



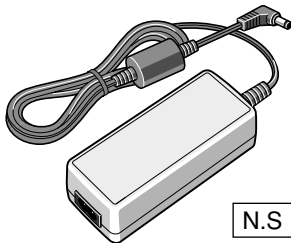
N.S. : N.S Stand for No Stock

PARTS LIST

SYMBOL	PARTS NO.	CLASS	QTY	DESCRIPTION	REMARKS
1	C84-1060-000	B	1	STRAP, WRIST WS-200	
2	FC2-9610-000	B	1	CASE, CF	

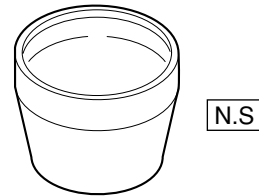
Accessories-2

**Compact Power Adapter
CA-PS500**



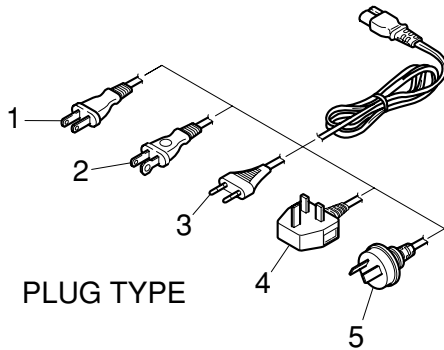
N.S

Conversion Lens Adapter LA-DC52D

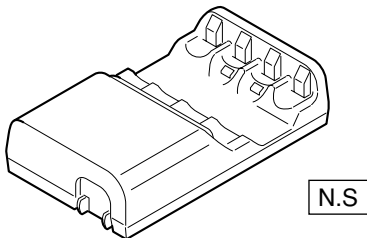


N.S

AC Cable



Battery Charger CB-4AH



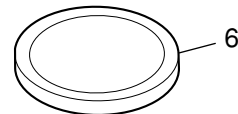
N.S

NiMH Battery NB4-200

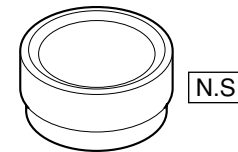


N.S

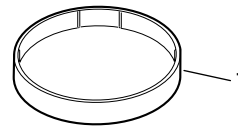
Wide Converter WC-DC52



6

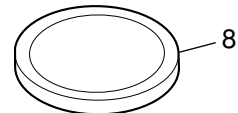


N.S

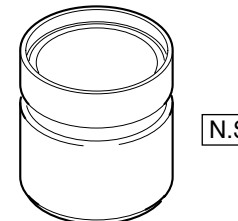


7

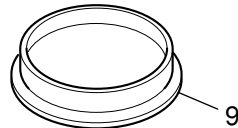
Tele Converter TC-DC52A



8



N.S



9

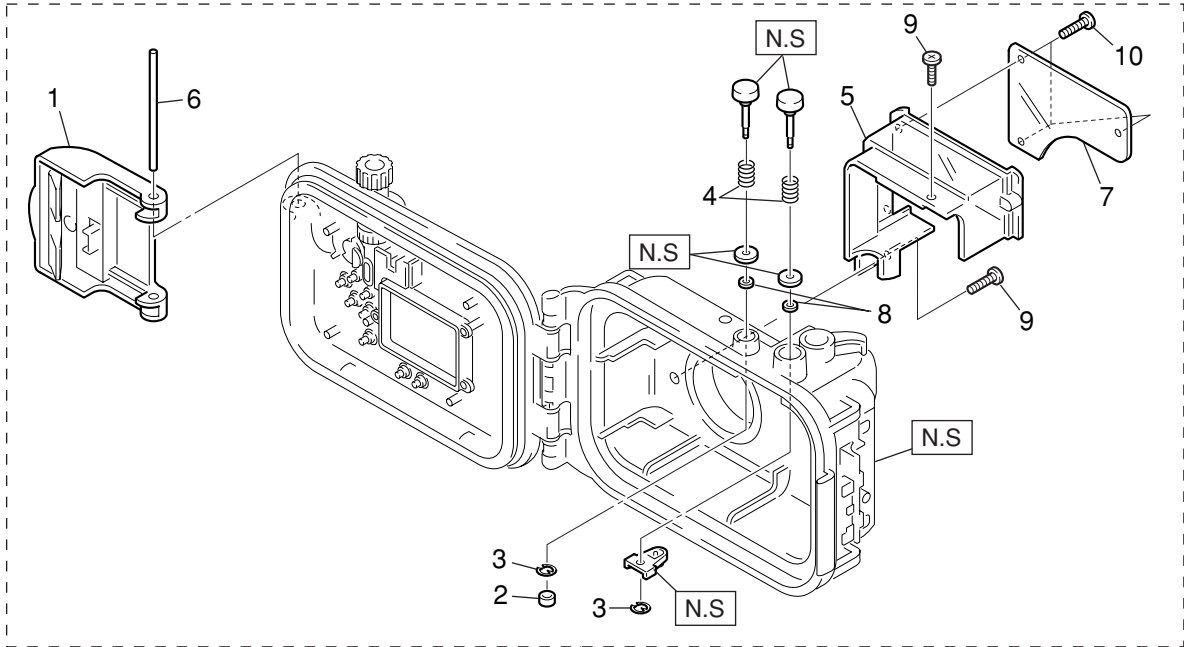
N.S : N.S Stand for No Stock

PARTS LIST

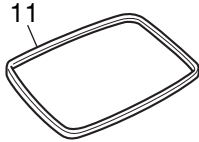
SYMBOL	PARTS NO.	CLASS	QTY	DESCRIPTION	REMARKS
1	D82-0641-000	C	1	CABLE, AC, JAPAN	FOR JAPAN
2	WT3-5063-000	C	1	CABLE, AC, USA	FOR USA, CANADA
3	D82-0643-000	C	1	CABLE, AC, EUROPE	FOR EUROPE, ASIA
4	D82-0644-000	C	1	CABLE, AC, UK	FOR ASIA
5	D82-0645-001	C	1	CABLE, AC, AUSTRALIA	FOR AUSTRALIA
6	CD1-3830-000	B	1	CAP, FRONT	
7	CD1-4042-000	B	1	CAP, REAR	
8	CD3-1741-000	B	1	CAP, FRONT	
9	CD3-1743-000	B	1	CAP, REAR	

Accessories-3

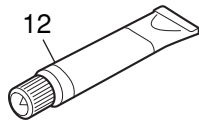
Waterproof Case WP-DC 50 N.S



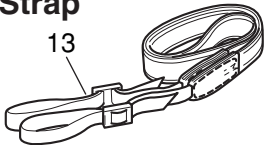
Waterproof Seal



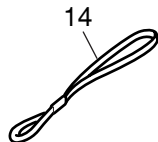
Silicone Grease



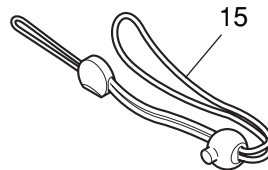
Neck Strap



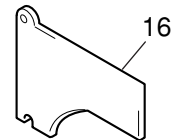
Strap



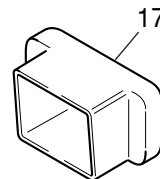
Wrist Strap



Diffusion Plate Unit



Hood



N.S : N.S Stand for No Stock

PARTS LIST

SYMBOL	PARTS NO.	CLASS	QTY	DESCRIPTION	REMARKS
1	CY1-6199-000	C	1	BUCKLE ASS'Y	
2	CY1-6169-000	C	1	CAP, BUTTON	
3	CY1-6168-000	C	2	E RING	
4	CY1-6167-000	C	2	SPRING, COIL	
5	CY1-6303-000	C	1	HOLDER, DEFUSION PLATE	
6	CY1-6203-000	C	1	SHAFT, BUCKLE	
7	CY1-6304-000	C	1	PROTECTOR, DEFUSION PLATE	
8	CY1-6252-000	C	2	O RING (P-3)	
9	CY6-3211-000	C	2	SCREW (2x6)	
10	CY6-3210-000	C	3	SCREW (2x7)	
11	CY1-6272-000	B	1	PACKING, RUBBER	
12	DY9-3029-000	C	1	GREASE PACKING	
13	CY1-6099-000	B	1	STRAP, NECK	
14	CY1-6329-000	B	2	STRAP	
15	CY1-6174-000	B	1	STRAP, WRIST	
16	CY1-6367-000	B	1	PLATE, DIFFUSION	
17	CY1-6368-000	B	1	HOOD	